

SMD DATA LINE EMI FILTERS

Series CZ



OUTLINE

- ◆ These surface mount filters are specially designed to virtually eliminate the problem of conducted EMI in data line applications.
- ◆ They provide both differential and common mode noise attenuation.
- ◆ These components contain tremendous electrode straight.
- ◆ Solder heat resistance products are specially designed for flow, reflow and wave soldering required for surface mounting applications.

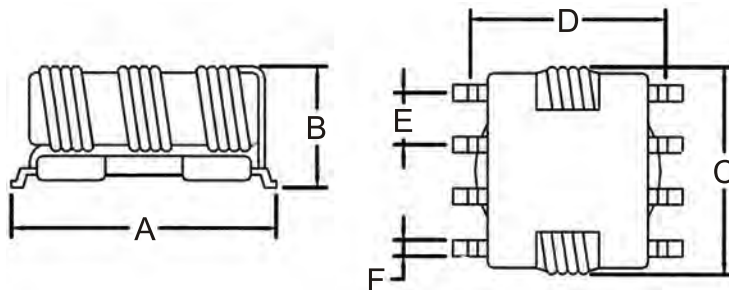
FEATURE

- ◆ These components is compatible with auto insertion equipment and easy installed for PC board.
- ◆ With four lines for voice and data line.
- ◆ Compact and high performance.

APPLICATIONS

- ◆ Attenuating noise of analog and digital signals for telecommunication devices.
- ◆ Prevention of interference from amateur radios or CB Stations.High frequency welders, etc.

SHAPES & DIMENSIONS



Unit :mm

Type	A	B	C	D	E	F
CZ11B08XX25U	12.5±0.5	+0 8	+0 12	10.9±0.15	2.5±0.1	0.7

ELECTRICAL CHARACTERISTICS

Type	Inductance at 100KHz	RDC (Ω) max.
CZ11B08XX25U	25 μH~50 μH	0.07

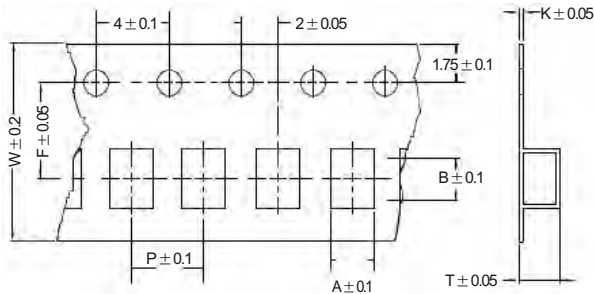
SMD DATA LINE EMI FILTERS

Series CZ

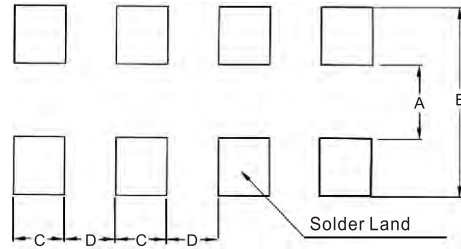
PACKAGING QUANTITY

Type	Bulk	Q'ty/Reel
CZ11B08XX25U	✓	400

Unit:mm



RECOMMENDED PATTERN



Type	A	B	C	D
CZ11B08XX25U	8.0	13.0~14.0	1.15	2.0

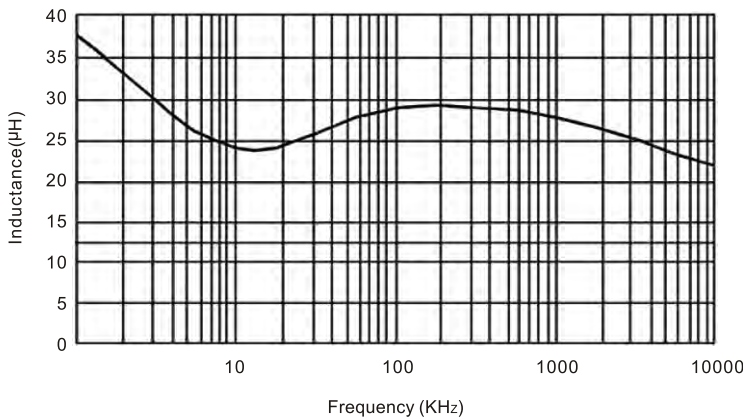
Unit:mm

Type	A	B	T	W	P	F	K
CZ11B08XX25U	12.24	15.5	9.1	24	20	11.5	0.36

Unit:mm

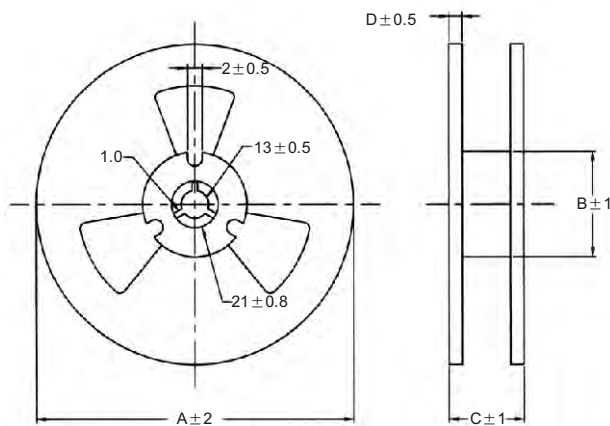
TYPICAL ELECTRICAL CHARACTERISTICS

Inductance : 33 μ H



Test Instruments:
HP4192A LF Impedance Analyzer

REEL DIMENSIONS



Type	A	B	C	D
CZ11B08XX25U	330	100	29.5	2.4

Unit:mm